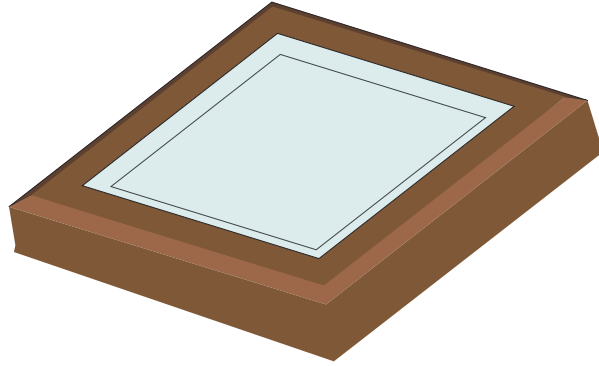
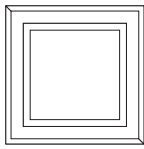


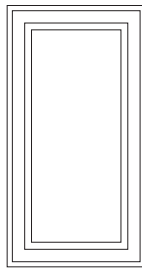
980 Skylight



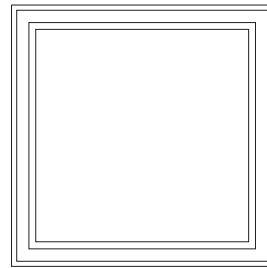
CURB MOUNTED - MINIMUM 2 and 12 PITCH



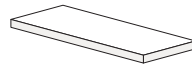
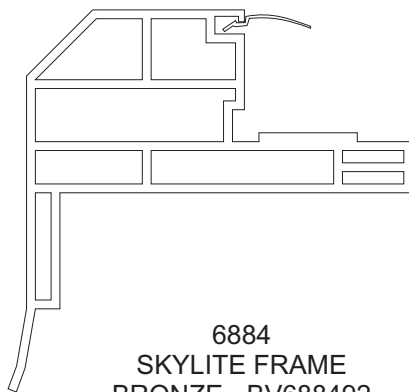
20/20



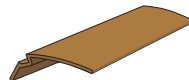
20/40



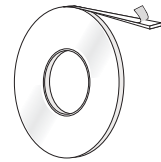
40/40



SETTING BLOCK
WHITE - 9011
BC901101



GLAZING BEAD
BRONZE - 6177B
BC617792



GLAZING TAPE
1/16" x 3/8"
WHT, ACRY
BC857000
GRAY, ACRY
US079210

980 Vinyl Skylite Installation instructions

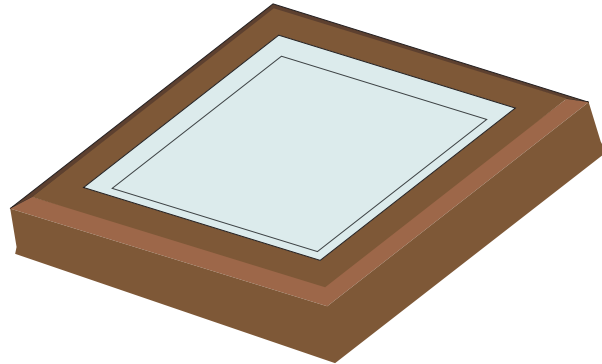
Note:

It is less likely damage will occur to the frame when using screws to secure the skylite instead of nails.

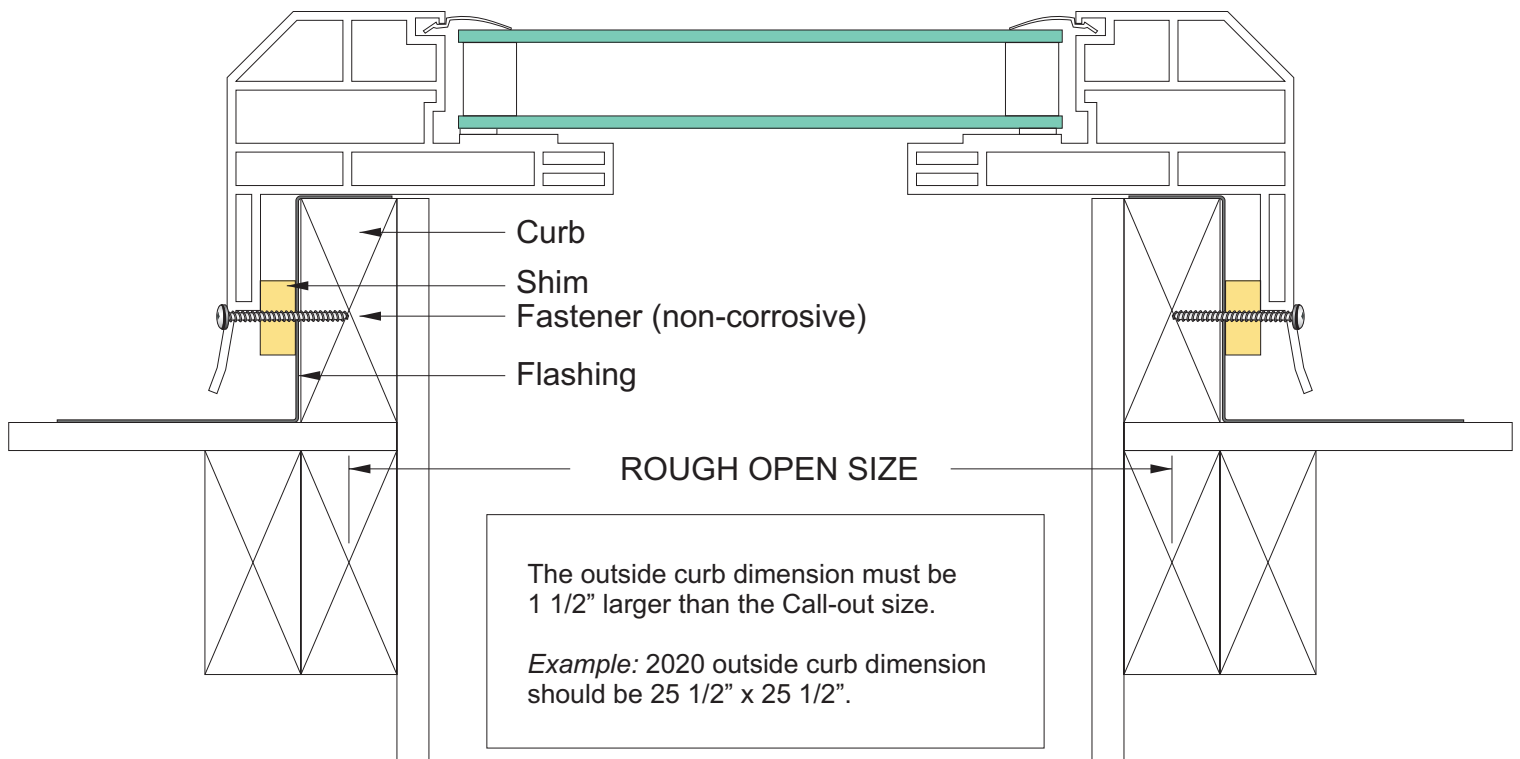
This skylite must not be installed on less than a 2/12 pitch.

Flashing between the curb to the roof must be completed prior to installation.

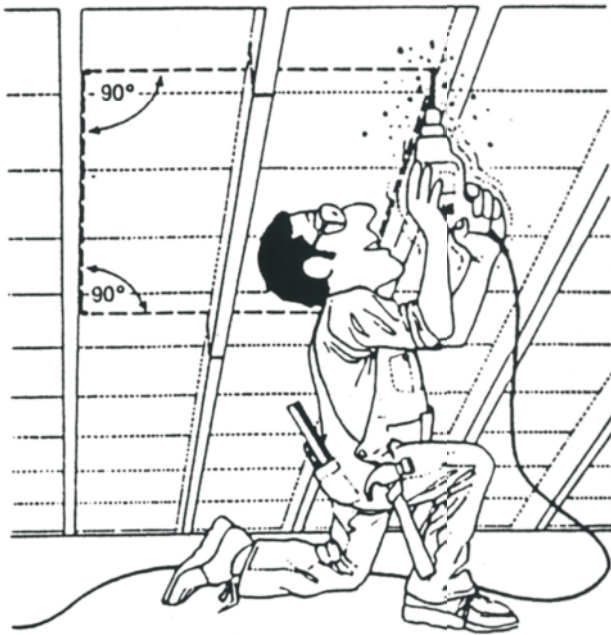
Flashing, fasteners, shims, caulk, etc. are not included and must be provided by others.



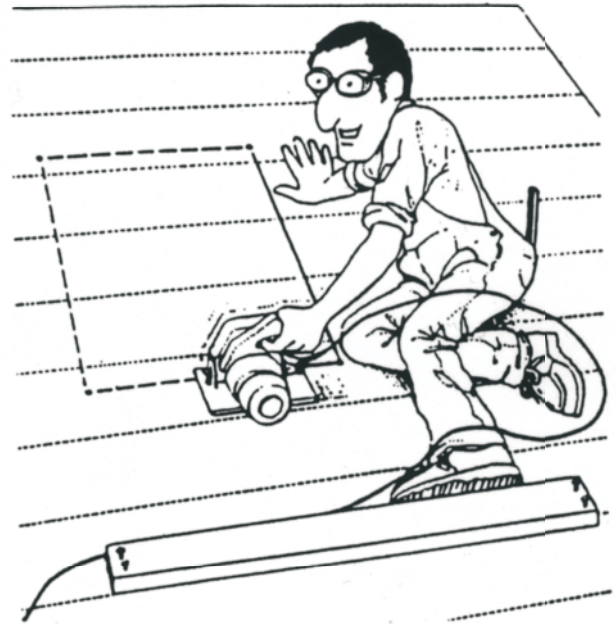
1. Apply sealant to the top of the curb to seal the skylite to the curb.
2. Seat the skylite into the sealant.
3. Shim behind the pre-drilled mounting holes located in each side near the top and bottom to square the skylite to the curb.
4. Secure the skylite to the curb with screws or nails through the mounting holes.



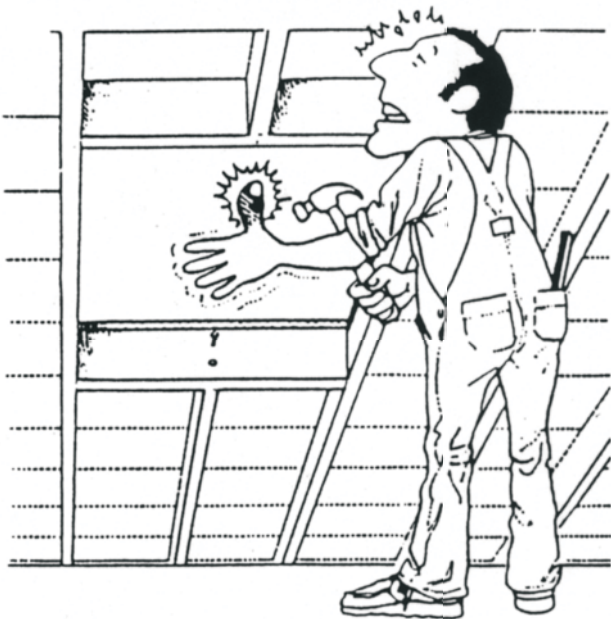
Typical Skylite Installation



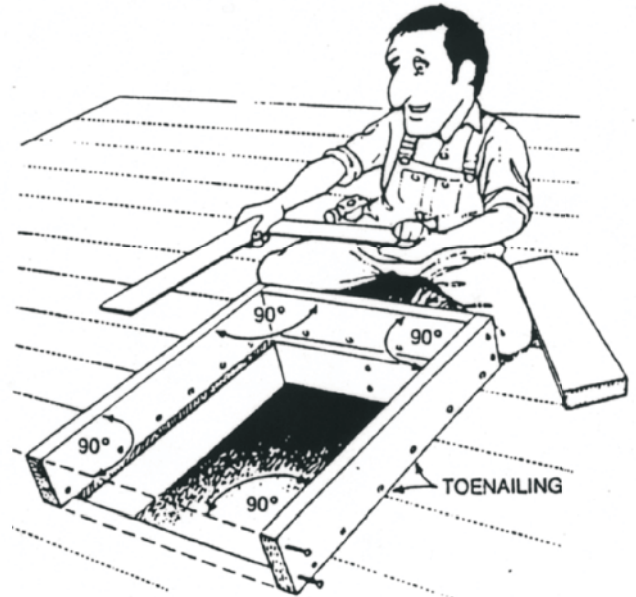
1 Preparing an opening in the roof. Opening should be positioned between rafters or trusses in accordance with desired day lighting effect. Drill holes through roof from inside at precise corners of the planned skylight opening, using **INSIDE** curb dimensions.



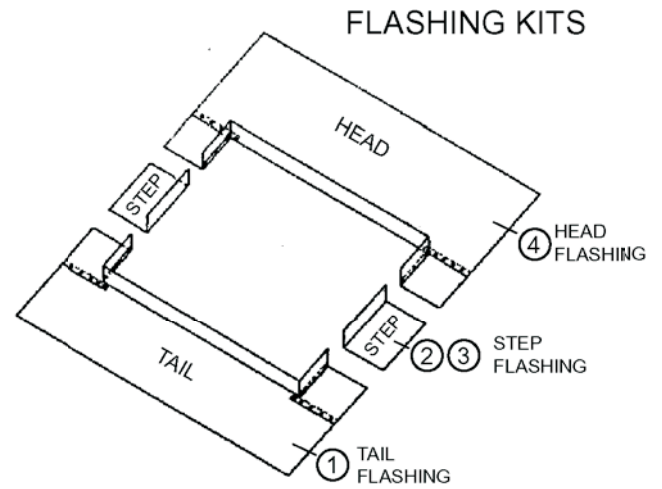
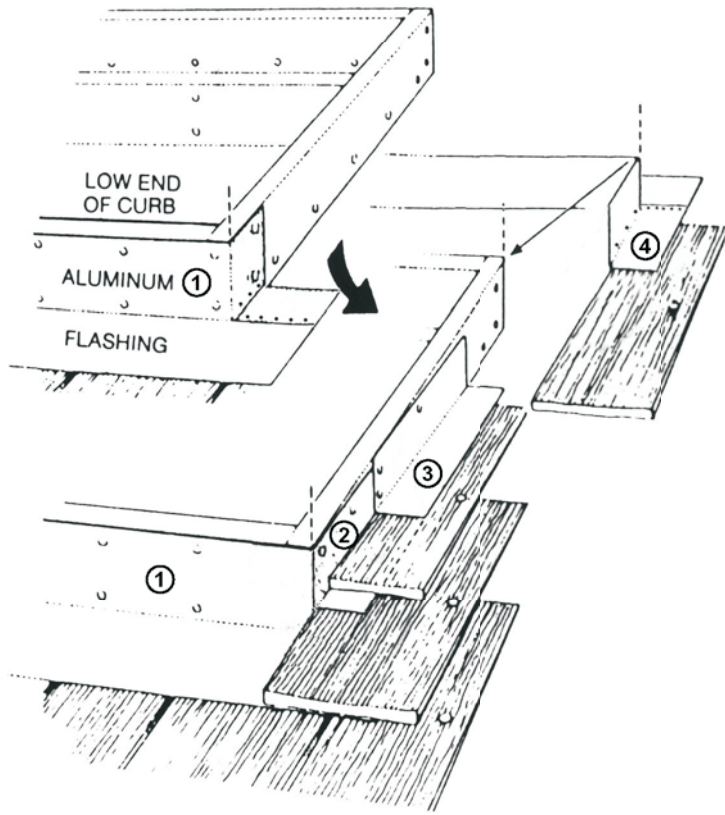
2 Cutting Through. Cut hole in roof to exact inside curb dimension listed for your skylite. Provision has been made for skylite contraction and expansion, but hole must be cut according to instructions to assume proper fit. Check local building codes before cutting any structural members.



3 Framing the opening. Check rafter or trusses for dimensions of lumber. Using lumber of the same dimension, frame under deck across opening, to connect rafters or trusses. Form square or rectangle to exact dimensions of opening.

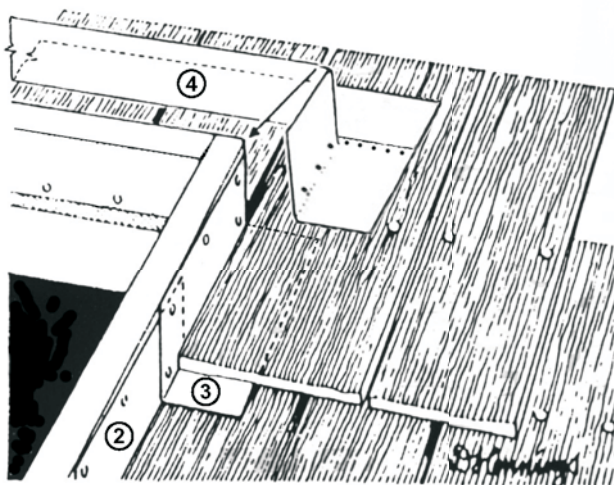


4 Building the curb. Using 2" x 4" to 2" x 12" lumber build a rectangular frame - or curb - mounted flush with the opening. All corners must be 90 degrees. Check to see if your skylite fits the curb. The top of the curb must be flush with the underside of the skylite. Remove unit and proceed to the next step.

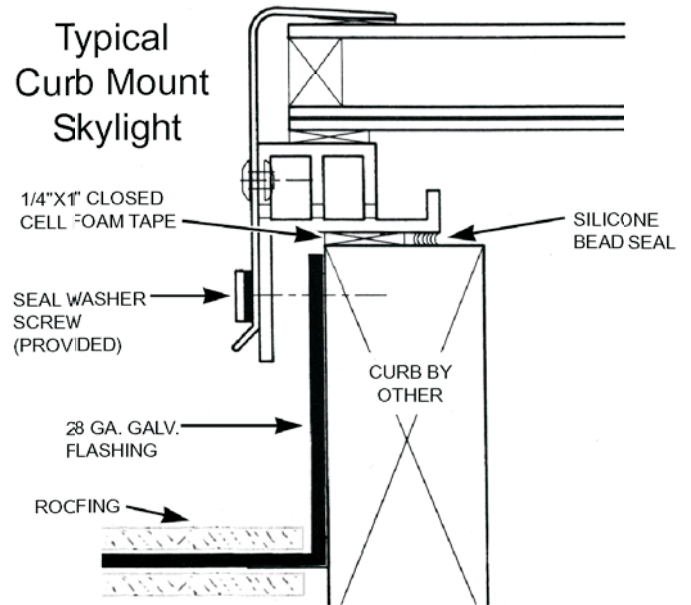


TOTAL NUMBER OF STEP FLASHINGS INCLUDED IN KIT PER SIZE

18 in. = 6 steps	50 in. = 16 steps
26 in. = 8 steps	62 in. = 20 steps
34 in. = 12 steps	74 in. = 24 steps
38 in. = 12 steps	98 in. = 32 steps



Typical Curb Mount Skylight



5 Flashing the curb. Install flashing as illustrated, up the curb to make a neat tight fit. Tack flashing to curb as necessary. One piece head & tail wrap around and seals corners of curb. Underlay shingles with flashing as roofing is built up along the sides of the curb. See steps 1-4 above.

6 Seating skylite on the curb. Apply a continuous strip of 1" wide closed cell foam tape around the outside top of the curb. Place the skylight on the curb and seat firmly in place. **DO NOT FORCE SKYLITE.** It must fit easily over the curb and flashing. Skylites are secured with a seal washer screw(provided).