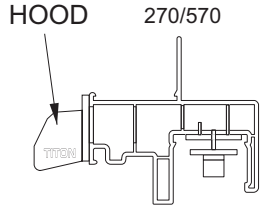


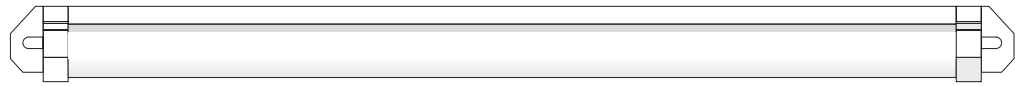
# Ventilators

Minimum width for 270 / 280 HS = 37" NET  
 Minimum width for 570 / 580 SH = 20" NET  
 Minimum width for 680 CAS/ AWN = 23.5" NET  
 Minimum width for 770 / 780 PW = 17.5" NET  
 Available in 80 series DP (not 70 DP)  
 Not available for A680 Picture Window

Ventilators occupy 4 square inches of cross flow ventilation and provide allowable ventilation volume of 10 pascals at 10 CFM.



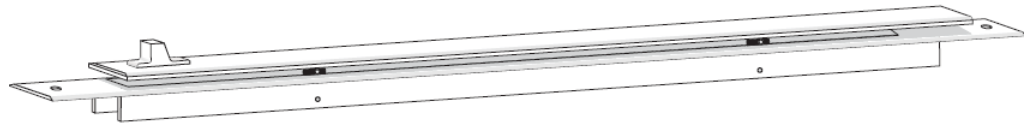
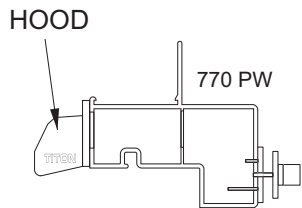
CUT-AWAY



VENTILATOR HOOD  
70 SERIES TV4000

WHITE - TA4205/395  
BH163301  
ALMOND - TA4205/243  
BH163254

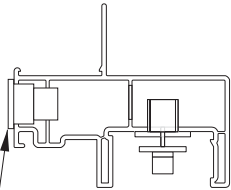
CLAY - TA4205/898  
BH163251  
BRONZE - TA4205/068  
BH163192



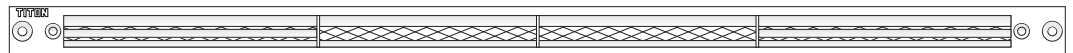
VENTILATOR (70 series) LEFT - XO  
WHITE - BH163701 - 49086601  
ALMOND - BH163654 - 49086654  
CLAY - BH163651 - 49086651

VENTILATOR (70 series) RIGHT - OX  
WHITE - BH163701 - 49086601  
ALMOND - BH163654 - 49086654  
CLAY - BH163651 - 49086651

280/580

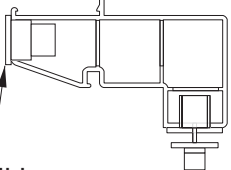


GRILL

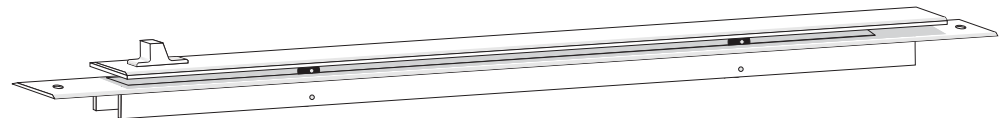


HORIZONTAL VISTA  
80 SERIES  
WHITE - BH207301  
ALMOND - BH207354  
CLAY - BH207351  
BRONZE - BH264392

780 PW



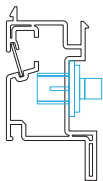
GRILL



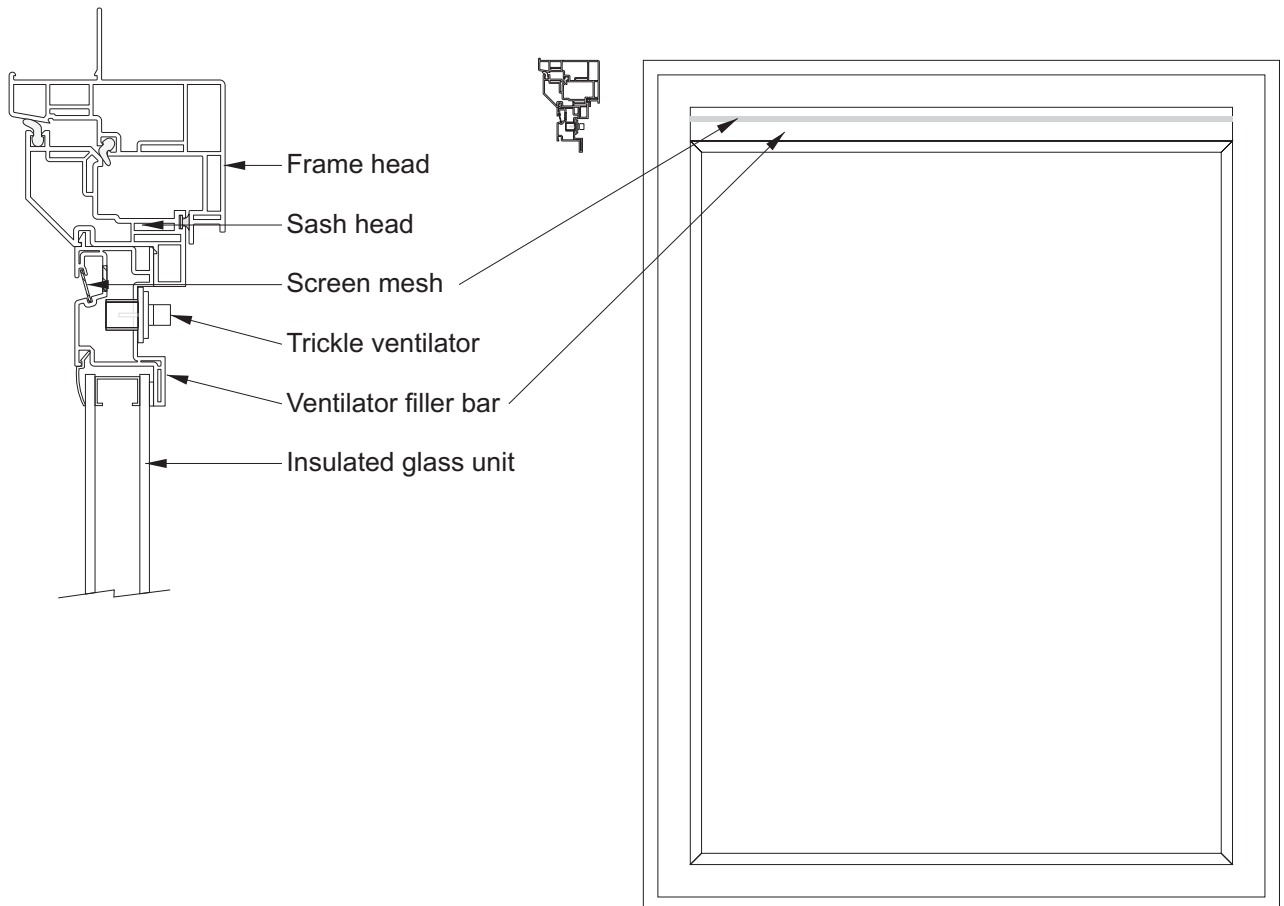
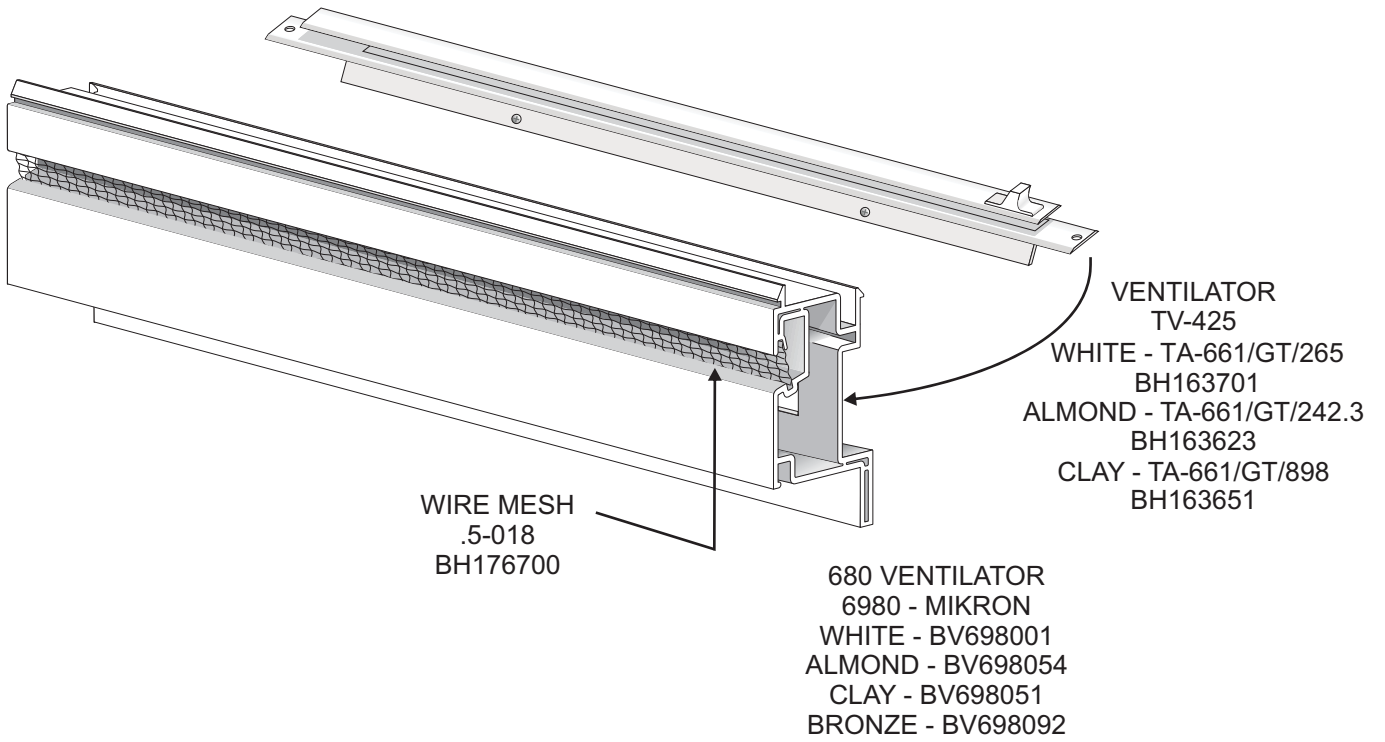
VENTILATOR (80 series) LEFT - XO  
WHITE - BH163701 - 49086601  
ALMOND - BH163654 - 49086654  
CLAY - BH163651 - 49086651

VENTILATOR (80 series) RIGHT - OX  
WHITE - BH163701 - 49086601  
ALMOND - BH163654 - 49086654  
CLAY - BH163651 - 49086651

VENTILATOR FILLER BAR  
(170 fixed / 680 sash)  
WHITE - BV698001  
ALMOND - BV698054  
CLAY - BV698051  
BRZ/WH - BV698092



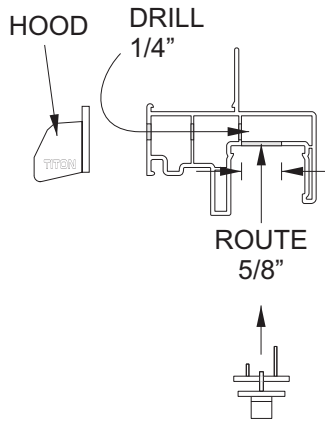
# 680 Ventilator



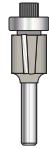


# Field Service Procedure Ventilator installation

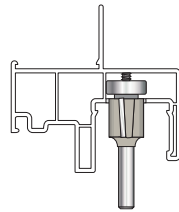
270/570



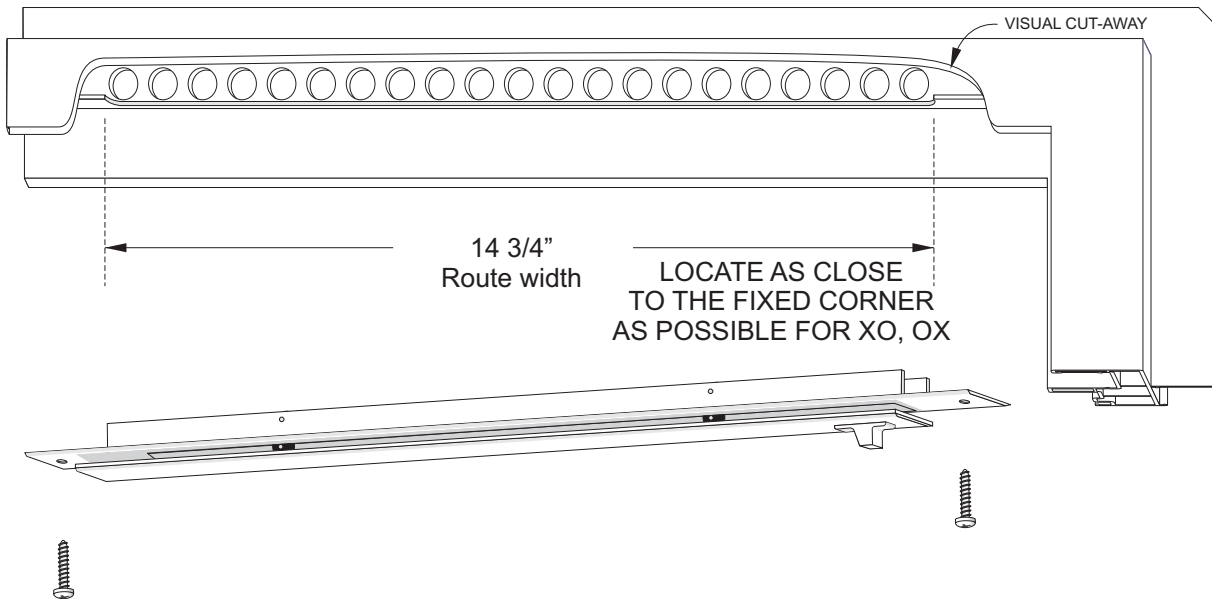
Route for the ventilator before drilling the 1/4" vent holes or routing for the vista. The interior wall is sometimes used as a guide for router bearing guides or routers to maintain a straight line during cutting.



5/8" Flush Trimmer Router bit w/ guide bearing 1/4" shank



Removing the bearing nut will allow the bit a deeper cutting depth for 70 series profiles. The bearing must guide along the frame web as illustrated to insure a straight cut.

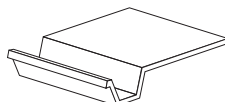


## LOCATION OPTIONS:

Ventilators for XO and OX are located as close to the fixed corner as possible (determined by the capability of the router). The hood or vista is centered over the width of the fixed glass; therefore the 1/4" vent holes as illustrated above may not always align with the ventilator routed opening.

Ventilators for an XOX, single hung or picture window are centered in front of the fixed glass as well as the hood or vista on the exterior.

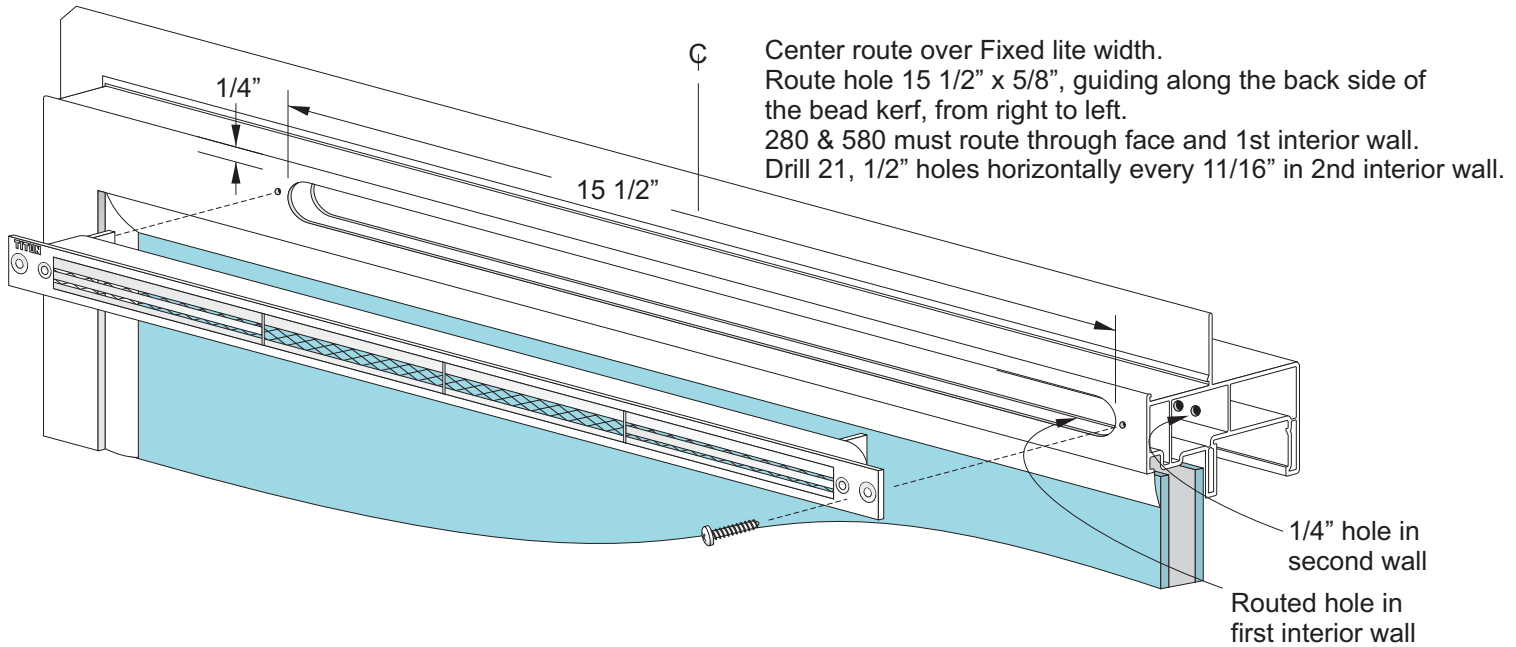
In some situations the anti lift will have to be removed or relocated away from the ventilator to allow clearance for sash removal. The sash may not clear the sill when positioned under the ventilator.



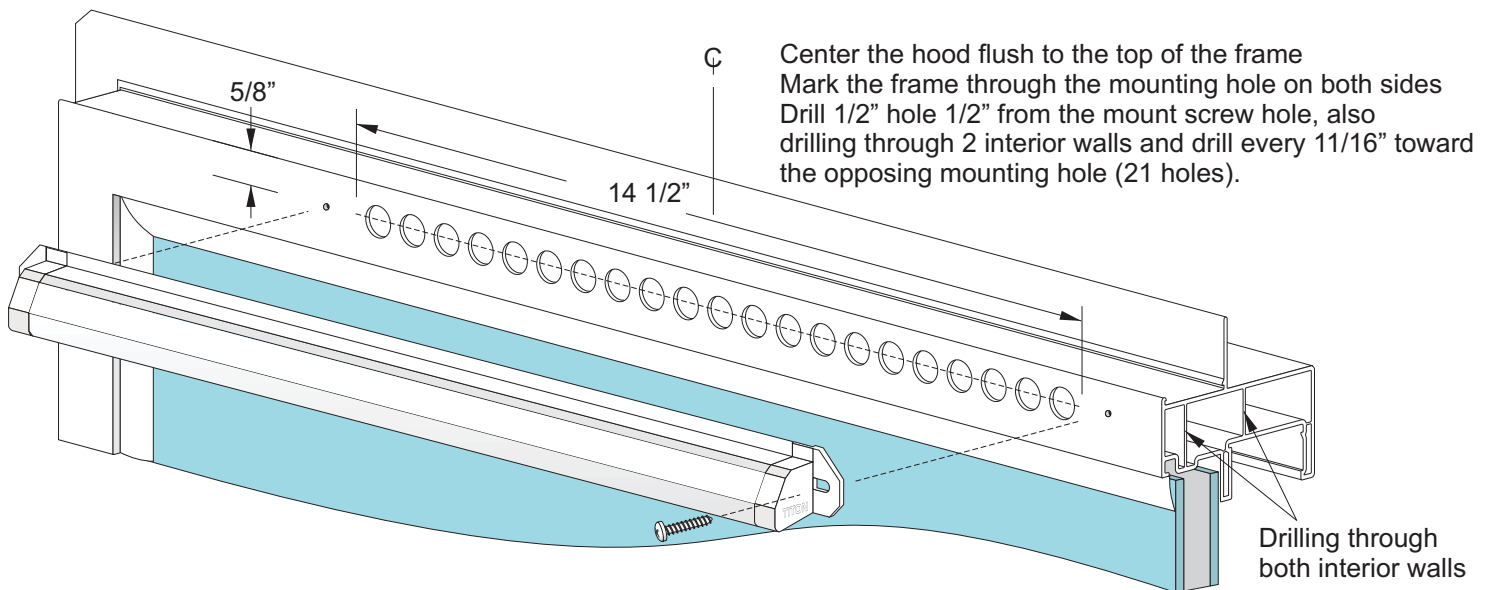


# Field Service Procedure Ventilator installation

## Vista Installation



## Hood Installation



$1/2''$  drill

