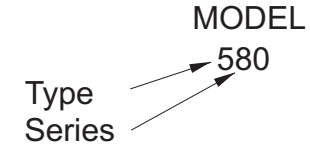
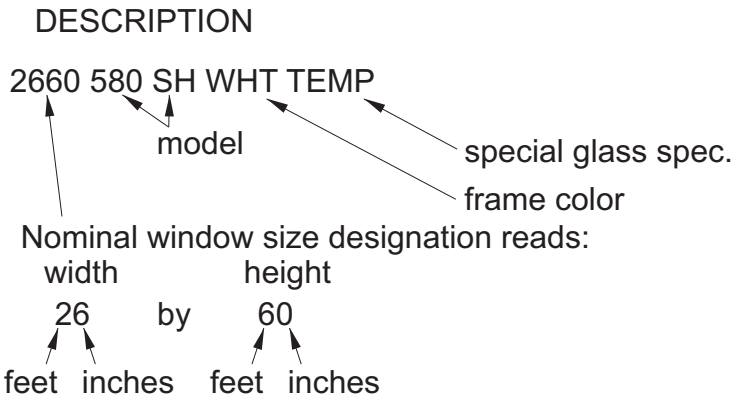


TERMINOLOGY



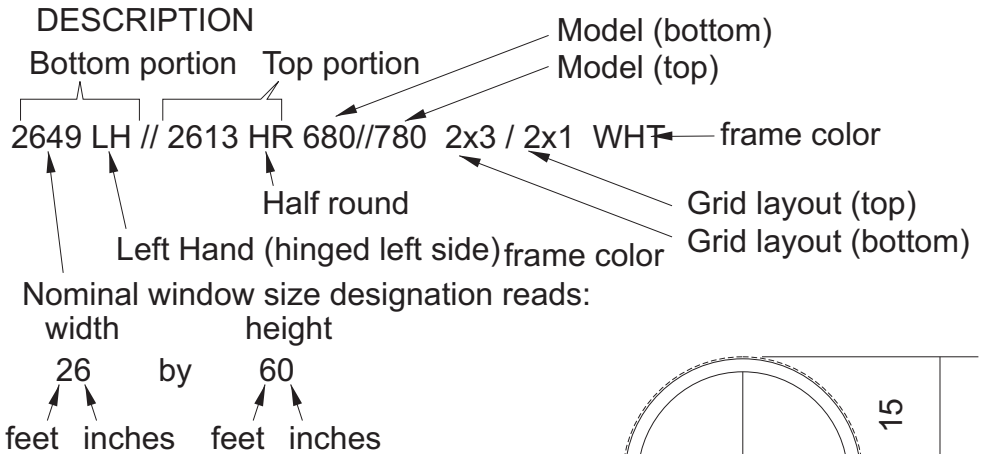
- Type
- 1 - Doors
 - 2 - Horizontal sliding windows
 - 5 - Single hung (vertical sliding)
 - 6 - Casement/ Awnings
 - 7 - Picture windows

- Series
- 70 series - slim line
 - 80 series - heavy duty

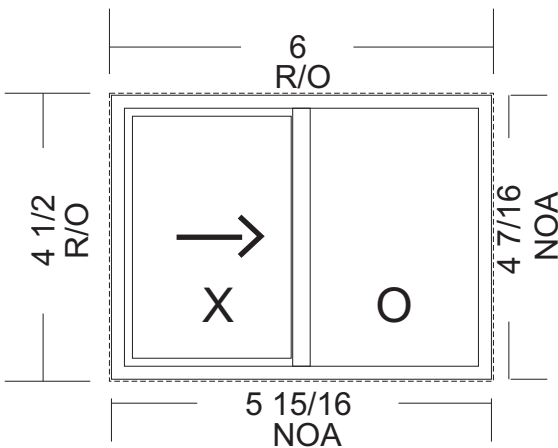


More complex windows include shapes and combined models

- Other abbrev.
- HS - horizontal sliding
 - SH - single hung
 - PW - picture window
 - PD - or SPD = sliding patio door
 - HPD - hinged patio door
 - LH - left hand (casement)
 - RH - right hand (casement)
 - HR - half round
 - WHT - white
 - TEMP - tempered glass



WINDOW DESCRIPTION TERMINOLOGY



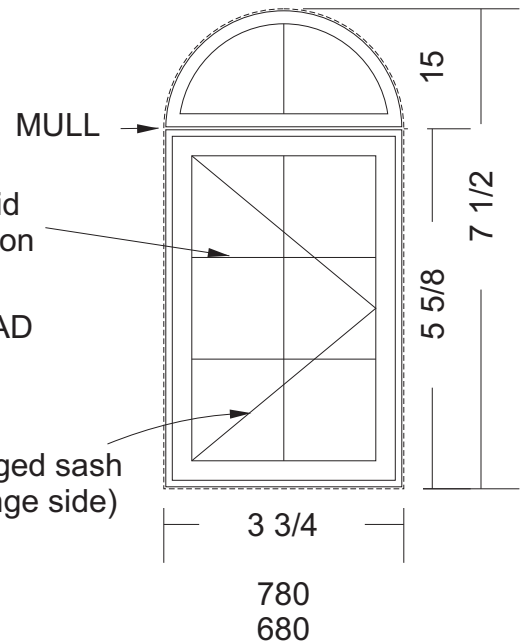
4030 270 XO HS or
47 1/2 x 35 1/2" 270 XO

X= Operating Sash (Usually sliding)
O= Fixed (Stationary Lite)



ALL DESCRIPTIONS ARE READ
FROM LEFT TO RIGHT AND
BOTTOM TO TOP

This Symbol indicates a hinged sash
(the symbol points to the hinge side)



R/O= Rough Opening, rough framing size
NET or NOA= Net over all size, actual window frame
size excluding nail flange, "J" channel or flush fin sizes.